

HiTRON

Universal input harmonic correction (PFC) AC-DC medical & ITE application external desktop switching adapter 150 Watts green power single output HEMP156G series



Features

- Energy Efficiency Level VI
- Medical and ITE application
- Wide operating temperature range
- Up to 94% high efficiency
- Class I construction
- CE marking compliance



Specification

Input

Input Voltage	90-264VAC
Input Frequency	47-63Hz
Input Current	Typical 1.6A at 115VAC Typical 0.8A at 230VAC
Inrush Current	27-30Arms at 230VAC 50Hz
Power Factor	Typical 0.95 at full load
Input Connector	3 pole IEC320-C14(DT7) 3 pole IEC320-C6(DT7L)
Earth Leakage Current	Less than 0.2mA
Enclosure Leakage Circuit	Less than 0.02mA
No Load Power	Less than 0.21W

Output

Output Connector/Plug	Optional
Line Regulation	Typical 0.1%
Load Regulation	Typical $\pm 2-3\%$
Total Regulation	Typical $\pm 3-4\%$
Noise & Ripple	Typical 1% peak to peak
Adjustability	Not available
Hold-up Time	Typical 20mS at 115/230VAC

Protection

Over Voltage	Built-in (Latch)
Over Current	Installed

Protection

Over Load	Typical set at about 130% of rating output wattage
Over Temperature	NTC

General

Efficiency	Typical 91-94% (depending on model)
Switching Frequency	85KHz
Dielectric Withstand	IEC60601-1 and IEC60950-1
Transient Response	Output voltage returns in less than 1mS for a 25% load change
Power Density	4.37W / Cubic inch
Construction	Desktop format

Environmental

Operating Temperature	-25°C to +60°C (Refer to derating chart)
Storage Temperature	-40°C to +85°C
Cooling	Convection-cooled
Operating Altitude	5000m
Operating Humidity	10-95% RH, non-condensing
Storage Humidity	5-95% RH

Safety/EMC

Emissions	EN55011 and EN55022 FCC Class B
Harmonic Current	IEC61000-3-2
Safety Standard	IEC60601-1 & IEC60950-1 Class I

Notes:

- (1) All measurements are at nominal input, full load, and +25°C unless otherwise specified.
- (2) Load regulation is measured at 115VAC or 230VAC in percentage to indicate the change in output voltage as the load varied from half load to full load ($\pm\%$).
- (3) The exact obtainable load regulation depends upon the output cord selected and load current.
- (4) Due to requests in market and advances in technology, specifications subject to change without notice

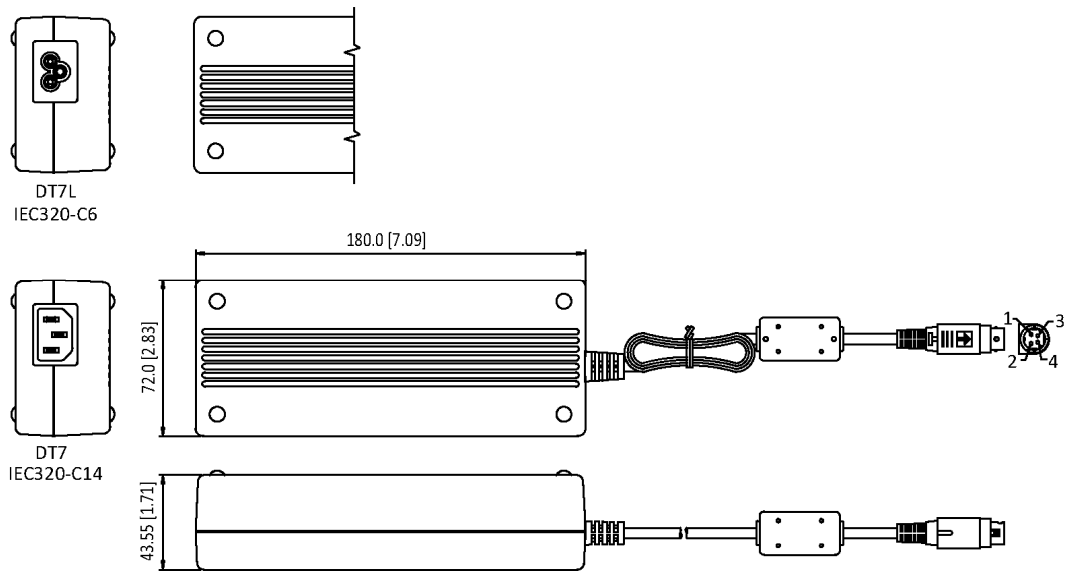
Output voltage & current rating chart

Single Output

Model No.	AC Inlet	Output Voltage	Output Current
HEMP156G-S120125-7	IEC320-C14 (DT7)	12V	12.50A
HEMP156G-S120125-7L	IEC320-C6 (DT7L)	12V	12.50A
HEMP156G-S240625-7	IEC320-C14 (DT7)	24V	6.25A
HEMP156G-S240625-7L	IEC320-C6 (DT7L)	24V	6.25A
HEMP156G-S540280-7	IEC320-C14 (DT7)	54V	2.80A
HEMP156G-S540280-7L	IEC320-C6 (DT7L)	54V	2.80A

Notes: Other output voltages are available. Please contact sales for details.

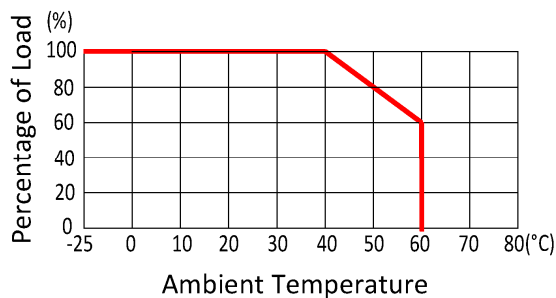
Mechanical Dimensions (Note: All dimensions are in mm[inch])



Notes: (1) The length of output cable should be 1000±50mm.

(2) The drawing for connector is for reference purpose. Optional output connectors are available, please contact sales for details.

Derating Chart



Pin assignment

Pin NO.	Pin out
PIN #1	+V1
PIN #2	+V1
PIN #3	DC COM
PIN #4	DC COM